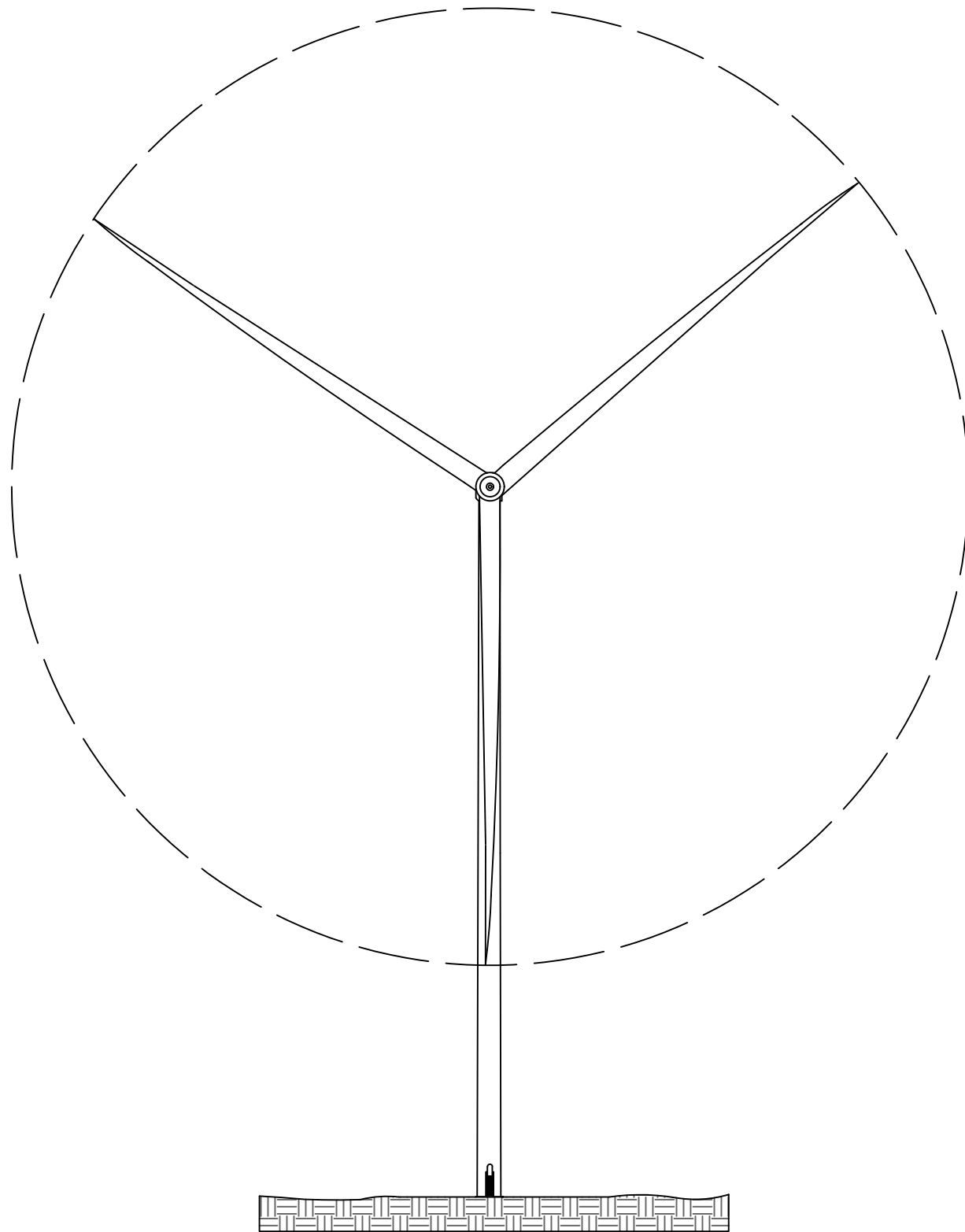


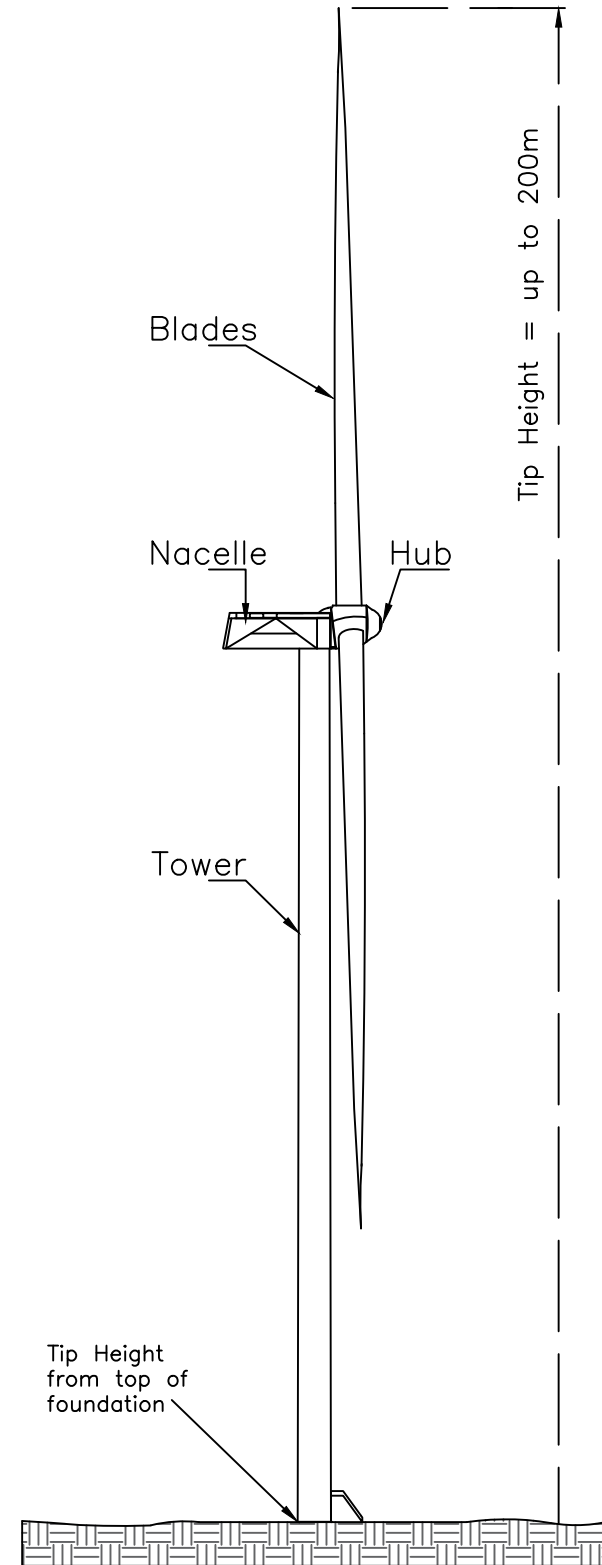
General notes:

1. Subject to change through detailed design
2. Actual turbine design may differ in visual appearance
3. Tip height taken from top of foundation

FRONT ELEVATION



SIDE ELEVATION



Scale: not to scale @ A3

Produced By: RB

Version: 0

Checked By: DF

Date: 03/05/2024

**Figure 3.3**

**Typical Turbine Elevation**

**Oliver Forest Wind Farm**

**Environmental Impact Assessment Report**