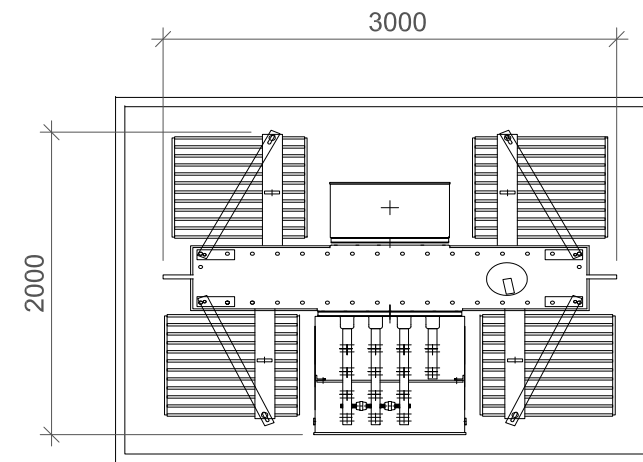


This drawing is the copyright of STATKRAFT UK Limited and must not be reproduced in whole or in part or used in any manner without their written permission.
 Scaled dimensions must not be taken from this drawing. All dimensions are to be confirmed on site prior to commencement of work.

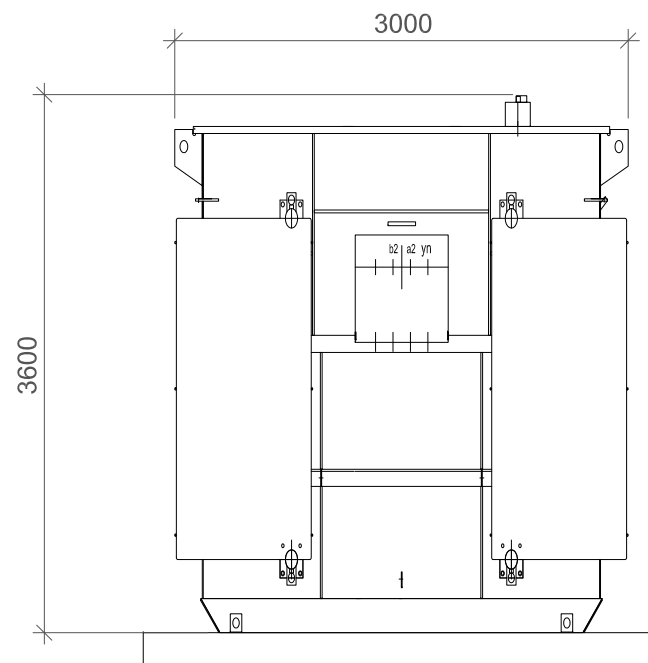
Revisions:

Revision	Date	Revision Notes	Drawn	Inspected
01	27.03.23	First Issue	GF	JM
02	03.07.23	Revised	MC	JM

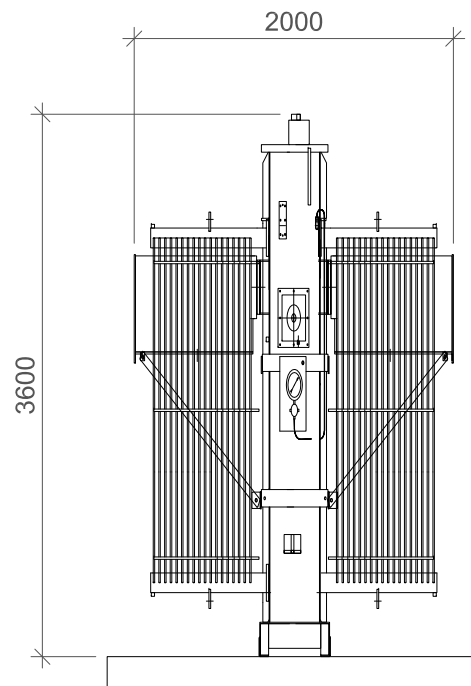
LEGEND:



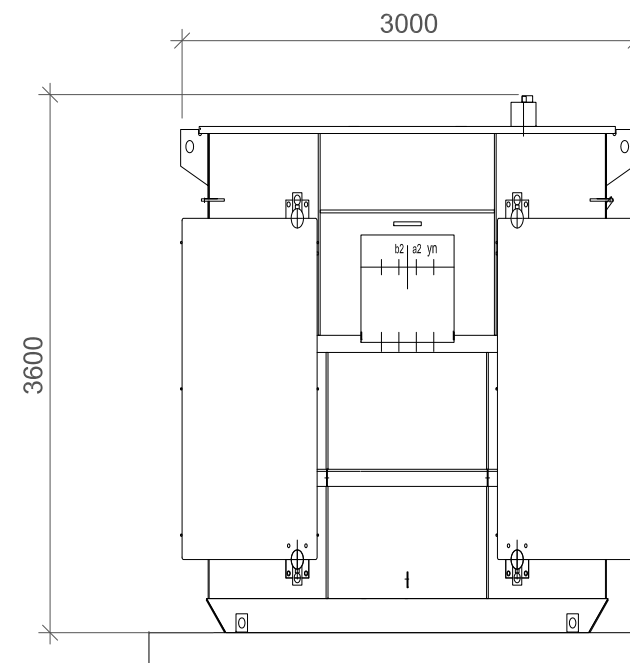
PLAN VIEW



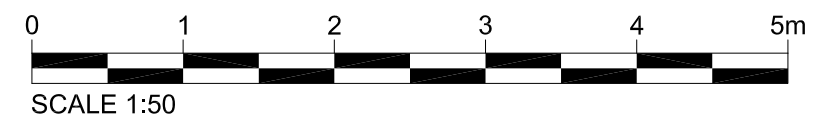
EAST ELEVATION



NORTH/SOUTH ELEVATION



WEST ELEVATION



Project:

Necton Greener Grid Park

Consultant:



Statkraft UK Ltd.
 15th Floor, 22 Bishopsgate
 London, EC2N 4BG
 Tel: +44 (0) 20 7549 1000

Drawn by:



CADmando Design & Drafting Solutions Ltd
 The Long Barn, The Courtyard, Severn Drive, Tewkesbury
 Business Park, GL20 8SD
 Tel: +44 (0) 1684 859919
 Mob: +44 (0) 7814436910

Status:

PLANNING

Drawing Title:

**Standard Details:
 Aux Transformer**

Drawn: GF	Checked: JM	First Issued: 27.03.2023
--------------	----------------	-----------------------------

Project Code: STA002-	Drawing Number: SD-08
---------------------------------	---------------------------------

Sheet Size: A3	Scale: 1:50	Revision: 02
--------------------------	-----------------------	------------------------