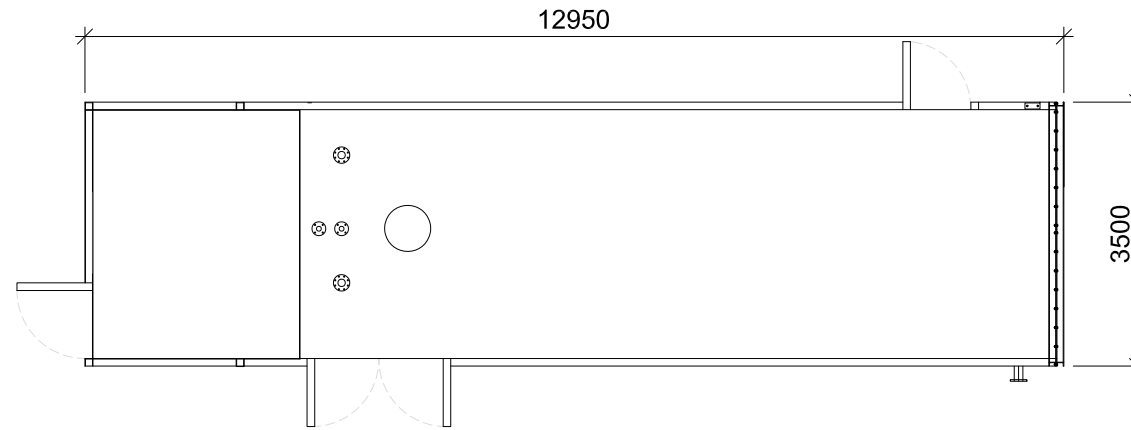
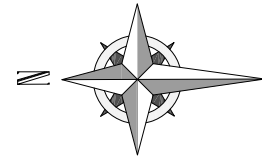


This drawing is the copyright of STATKRAFT UK Limited and must not be reproduced in whole or in part or used in any manner without their written permission.
 Scaled dimensions must not be taken from this drawing. All dimensions are to be confirmed on site prior to commencement of work.

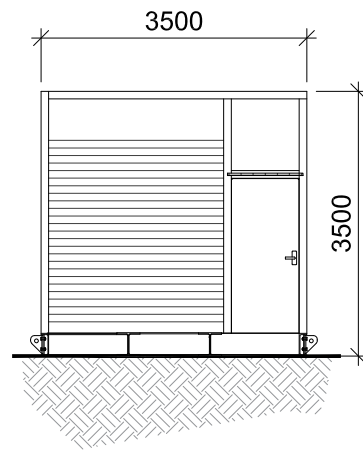
Revisions:

Revision	Date	Revision Notes	Drawn	Inspected
01	24.03.23	First Issue	GF	JM
02	03.07.23	Revised	MC	JM
03	26.07.23	Revised	MC	JM

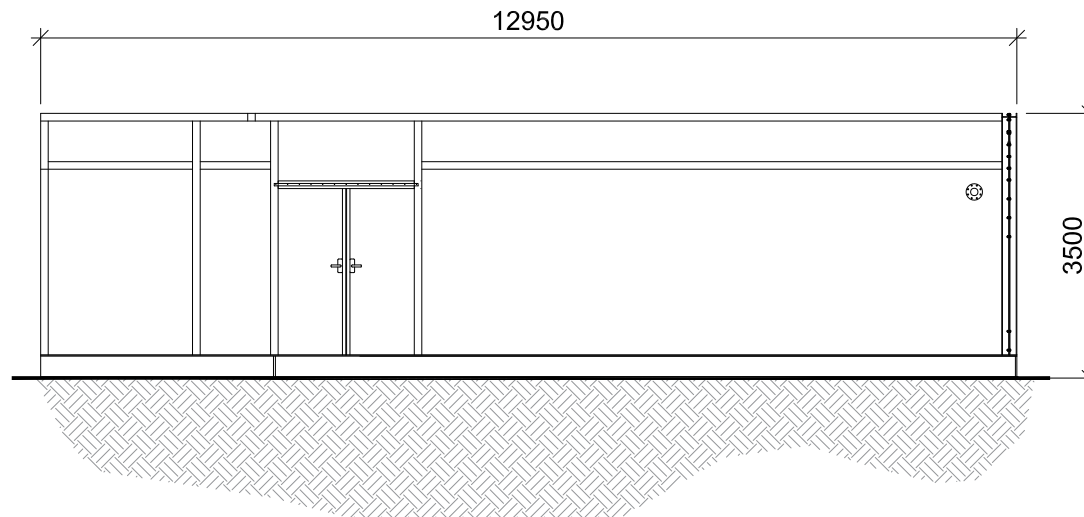
LEGEND:



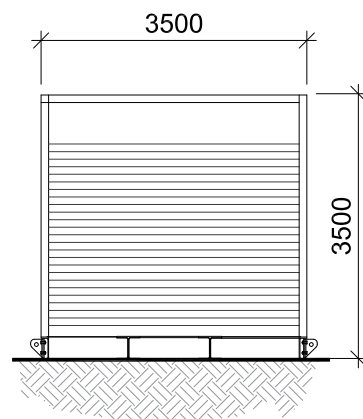
PLAN VIEW



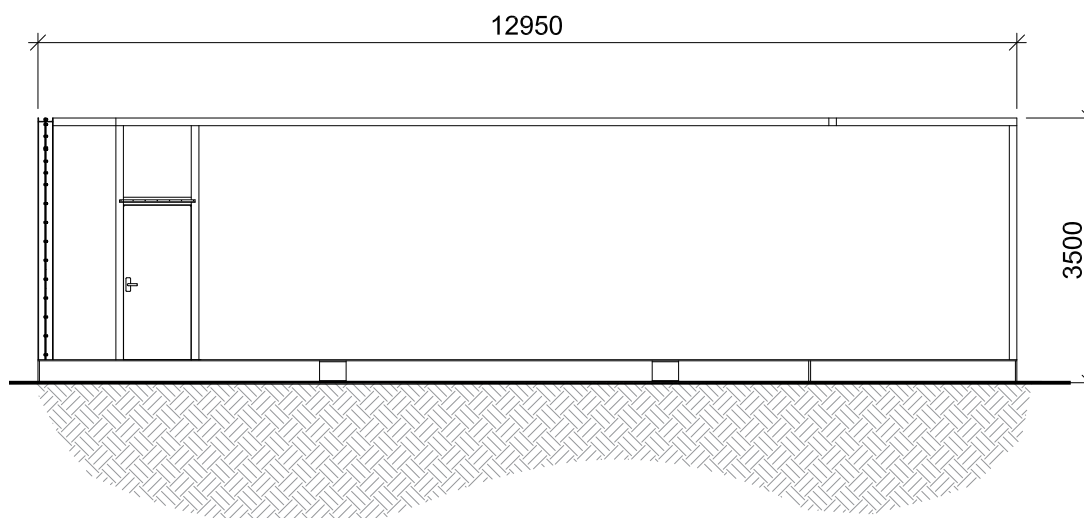
NORTH ELEVATION



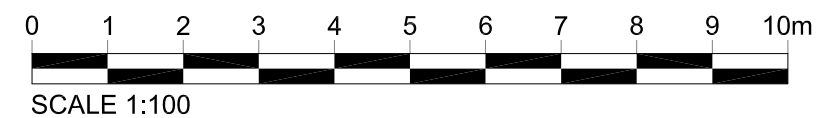
WEST ELEVATION



SOUTH ELEVATION



EAST ELEVATION



Project:

Necton Greener Grid Park

Consultant:



Statkraft UK Ltd.
 15th Floor, 22 Bishopsgate
 London, EC2N 4BC
 Tel: +44 (0) 20 7549 1000

Drawn by:



CADmando Design & Draughting Solutions Ltd
 The Long Barn, The Courtyards, Severn Drive, Tewkesbury
 Business Park, GL20 9GD
 Tel: +44 (0) 1882 828919
 Mob: +44 (0) 7814458910

Status:

PLANNING

Drawing Title:

**Standard Details:
 Emergency Generator**

Drawn: GF	Checked: JM	First Issued: 24.03.2023
Project Code: STA002- SD-03		Drawing Number:
Sheet Size: A3	Scale: 1:100	Revision: 03